



PRODUCT CATALOG
2011

ADVANCED TECHNOLOGY

Brady Mining is the leader in high-density ceramic roof bolt mining tools—focused on improving the production and safety of today’s underground mining operations. The engineering expertise and unique diamond technology built into every product makes Brady Mining tools the longest lasting and most technically advanced products on the market. Brady Mining offers a proven track record of performance—delivering unmatched durability and toughness from the easiest to the most difficult roof-bolting conditions.

REDUCING DOWNTIME

Today’s mining operations focus on producing the largest amount of tonnage at the lowest possible cost. To meet ever-increasing production demands, mine operators must keep their equipment running with the latest technology. They simply cannot afford to wait on roof-bolting crews using outdated equipment and techniques while continuous miners sit idle. One production challenge for many mine operators can be directly traced to carbide bits, which have been used for decades. These bits easily dull while drilling and need to be replaced frequently—slowing roof bolters and limiting production. This ongoing maintenance problem slows the mining process, decreases production, and creates safety concerns as miners scramble under unsupported areas to change out roof bolting bits so mining operations can continue.

Brady Mining increases production, reduces equipment downtime, and improves overall safety.

CONTINUOUS RESEARCH AND DEVELOPMENT

The performance of Brady Mining roof-bolting products are the result of extensive Research and Development (R&D) conducted by experienced scientists and engineering teams. Our research staff consists of professionals with advanced degrees in engineering, chemistry, and materials design. With more 30 years of diamond-engineering experience, Brady Mining works hard to deliver advanced materials and new and better ways of building custom mining tools for our customers.

+ CONTACT BRADY MINING

1320 South 1600 West

Orem, UT 84058

p. 800.535.7419

f. 877.537.7419

www.bradymining.com

info@bradymining.com

OUR PRODUCTS

HIGH-DENSITY ADVANTAGE

Brady Mining is dedicated to supporting our valued customers with the best products and technology available on the market. Brady products are specifically designed to deliver premium performance for today's mining operations. For mine operators looking to increase tonnage, production and safety, Brady offers:

+ VIPER BITS

The latest innovation in bit technology for both wet and dry drilling.

+ DRY BITS

Revolutionary designed, ceramic dust hogs produce results in even the toughest conditions

+ WET BITS

Innovative technology that improves efficiency and reduces mining cost. These bits are the best heavy duty bits available.

+ REAMERS + BIT SEATS

Next generation tooling designed to decrease bolting time. With quick connections that maintain hole gauge.

+ DRILL STEEL

High-grade alloy steel designed to increase durability and lower drill time.

+ COUPLERS + SPECIALTY TOOLS

Custom tools that deliver performance and consistent production.



“Miners were quick to accept PDC bits, since they reduced by more than 50 times the necessity of replacing worn out bits.”

—U.S. Bureau of Mines

RESEARCH AND DEVELOPMENT

Our R&D department focuses on:

+ ADVANCED TECHNOLOGY

Our ongoing research and development efforts ensure that Brady Mining roof-bolting products are better able to handle the demanding environments found in underground mining operations. From ceramic (diamond) powders to the finishing phase, every possible aspect of roof bolt drilling is monitored, measured and improved. Because of our commitment to quality, Brady Mining products are simply the best technology available.

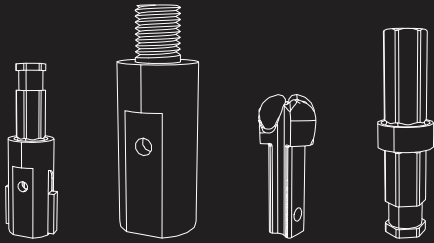
+ STATE-OF-THE-ART TESTING

To ensure product quality is met, our engineering teams do extensive and rigorous testing in our in-house testing facility. Through extensive abrasion testing, heavy-wear testing and field testing, Brady ensures that the best products are developed for our customers.

+ CERAMIC {DIAMOND} MATERIAL DEVELOPMENT

Brady Mining makes the longest lasting and most technically advanced roof-bolting products on the market. Brady tools offer a proven track record of performance—delivering unmatched durability and toughness from the easiest to the most difficult roof-bolting conditions. Brady Mining manufactures its own polycrystalline diamond (PCD) material and finishes each part to exact specifications to give customers the confidence that their high-performance product will





23

24

25

26

27

28

29

30

31

32

33

34

CATEGORY N°.1

VIPER BITS

We're proud to introduce our latest product line the Brady Viper Bit.

- Drills 50 - 200 times longer
- Reduces respirable dust by approximately 78%
- Reduces thrust requirements by 50% to increase equipment life and eliminate wear

▶ CATEGORY N°.2 {DRY BITS}

▶ CATEGORY N°.3 {WET BITS}

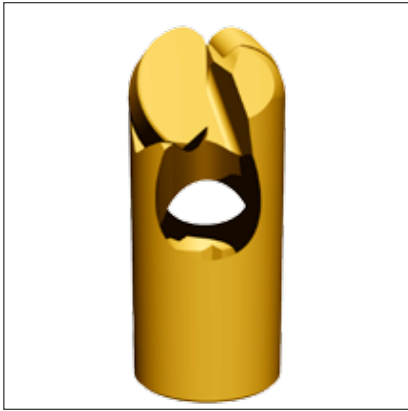
▶ CATEGORY N°.4 {REAMERS + BIT SEATS}

▶ CATEGORY N°.5 {COUPLERS + SPECIALTY TOOLS}

▶ CATEGORY N°.6 {DRILL STEEL}

the new *Viper*

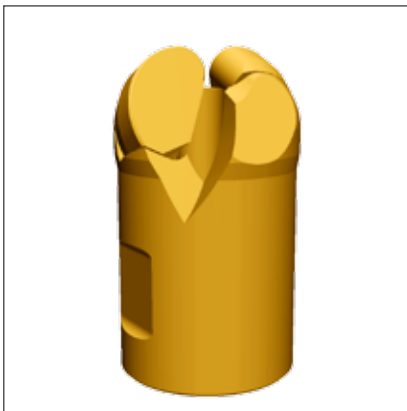




BRADY VIPER SERIES PCD BIT

- Dry Drilling
- Solid / Laminated roof conditions
- Aggressive cutting style
- Quick cutting flushing
- Designed for high abrasion applications (faster speeds in good top, solid roof environments)

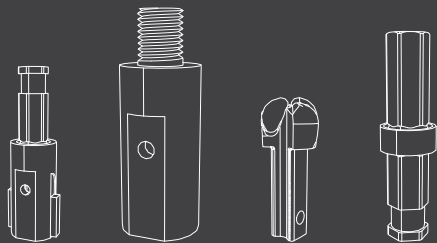
Part Number	Description	Dimensions			
		Bit Diameter		Internal Hex	
		in	mm	in	mm
01020-01	C 1" DH Viper	1.025	26.0	0.625	15
01016-01	C 27mm DH Viper	1.063	27.0	0.625	15
01136-01	C 1-3/8" DH Viper	1.375	34.9	0.870	22.1



BRADY VIPER FT SERIES

- Wet Drilling
- Solid / Laminated roof conditions
- Aggressive cutting style
- Quick cutting flushing
- Non-rifling design

Part Number	Description	Dimensions			
		Bit Diameter		Internal Thread	
		in	mm		
01138-01	HDC 1" Viper FT	1.025	26.0	3/4-10 UNC	
01134-01	HDC 1-3/8" Viper FT	1.375	34.9	M22 x 2.5	



23

24

25

26

27

28

29

30

31

32

33

34

▶ CATEGORY N°.1 {VIPER BITS}

▶ CATEGORY N°.2

▶ DRYBITS

Brady Mining Diamond Vacuum Bits easily outlast any other product on the market, significantly outperforming any carbide dust hogs.

- Increase tonnage and production
- Drill 100-300 times longer
- Utilize self-sharpening technology
- Penetrate hard rock faster
- Reduce thrust requirements by 50% to increase drill steel life and to eliminate extensive wear on equipment
- Reduces respirable dust by approximately 78%
- Significantly reduce equipment downtime by eliminating the ongoing need to change out and replace worn or broken carbide

▶ CATEGORY N°.3 {WET BITS}

▶ CATEGORY N°.4 {REAMERS + BIT SEATS}

▶ CATEGORY N°.5 {COUPLERS + SPECIALTY TOOLS}

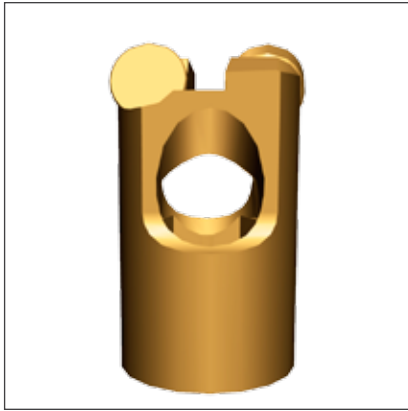
▶ CATEGORY N°.6 {DRILL STEEL}

▶ [LEARN MORE](#)



"Data clearly shows that a 40% reduction in respirable aerosol was achieved with the PDC bit when compared with the WC-Co bit."

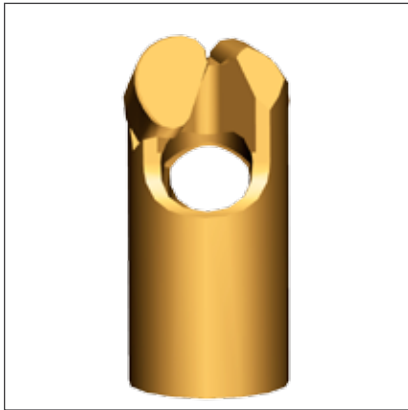
—U.S. Bureau of Mines



BRADY HD-SERIES PCD BIT

- Solid / Laminated roof conditions
- Aggressive cutting style
- Quick cutting flushing

Part Number	Description	Dimensions			
		Bit Diameter		Internal Hex	
		in	mm	in	mm
01002-01	C 1-1/32 DH	1.031	26.194	0.625	15.875
01004-01	C 1-3/8 DH	1.375	34.925	0.870	22.098
01006-01	C 1-5/8 DH	1.625	41.275	0.870	22.098



BRADY Z-SERIES PCD BIT

- Solid / Laminated roof conditions
- Aggressive cutting style
- Quick cutting flushing
- Designed for high abrasion applications
(faster speeds in good top, solid roof environments)

Part Number	Description	Dimensions			
		Bit Diameter		Internal Hex	
		in	mm	in	mm
01014-01	C 1-1/32 DH Z	1.031	26.194	0.625	15.875
01012-01	C 1-3/8 DH Z	1.375	34.925	0.870	22.098

▶ CATEGORY N°.1 {VIPER BITS}

▶ CATEGORY N°.2 {DRY BITS}

▶ CATEGORY N°.3

WETBITS

Brady Mining Diamond Wet Bits are designed for improving the efficiency and mining costs associated with drilling.

Increase performance and tonnage

- Outperform carbide wet drilling by 100 to 300 times
- Utilize self-sharpening technology
- Increase rate of penetration
- Replace percussion drilling
- Reduce drill maintenance
- Lower drill steel cost from reduced thrust requirements and wear
- Reduce respirable dust by approximately 98% and noise levels
- Significantly reduce equipment downtime by eliminating the ongoing need to change out and replace worn or broken carbide wet bits
-

▶ CATEGORY NO.4 {REAMERS + BIT SEATS}

▶ CATEGORY NO.5 {COUPLERS + SPECIALTY TOOLS}

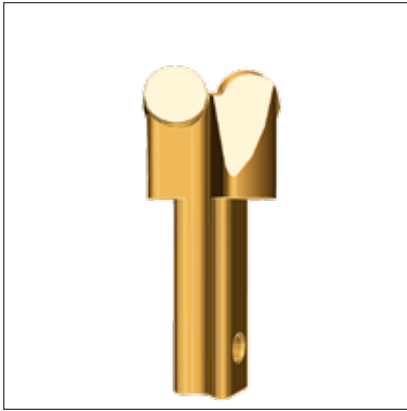
▶ CATEGORY NO.6 {DRILL STEEL}

▶ [LEARN MORE](#)

"In test mines containing shale, limestone, and dolomite as roof rock, PDC bit life ranged from 4,500 to 6,000 FT versus an average of 10 FT for a WC-Co bit."

—U.S. Bureau of Mines





BRADY HD-SERIES PCD BIT

- Solid / Laminated roof conditions
- Aggressive cutting style
- Quick cutting flushing

Part Number	Description	Dimensions			
		Bit Diameter		Square Shank	
		in	mm	in	mm
01108-01	HDC 1-1/8 1/2"SQ HD	1.125	28.575	0.500	12.700
01110-01	HDC 1-1/4 1/2"SQ HD	1.250	31.750	0.500	12.700
01118-01	HDC 1-3/8 1/2"SQ HD	1.375	34.925	0.500	12.700
01120-01	HDC 1-3/8 5/8"SQ HD	1.375	34.925	0.625	15.875
01126-01	HDC 1-5/8 5/8"SQ HD	1.625	41.275	0.625	15.875
01128-01	HDC 1-7/8 5/8"SQ HD	1.875	47.625	0.625	15.875



BRADY A-SERIES PCD BIT

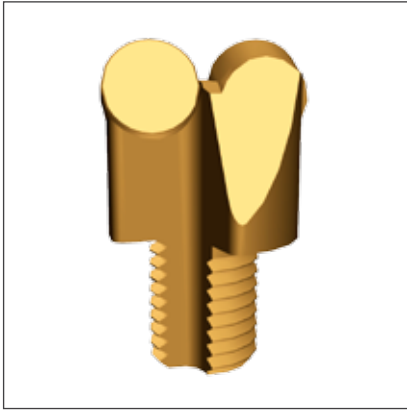
- Solid / Laminated roof conditions
- Aggressive cutting style
- Quick cutting flushing
- Non-rifling design

Part Number	Description	Dimensions			
		Bit Diameter		Square Shank	
		in	mm	in	mm
01102-01	HDC 1-1/32 S	1.031	26.194	0.500	12.700
01104-01	HDC 1-1/32 S 2H	1.031	26.194	0.500	12.700
01106-01	HDC 1-1/16 S	1.063	26.988	0.500	12.700
01112-01	HDC 1-3/8 S	1.375	34.925	0.500	12.700
01114-01	HDC 1-3/8 L	1.375	34.925	0.500	12.700
01116-01	HDC 1-3/8 L 2H	1.375	34.925	0.500	12.700
01122-01	HDC 1-1/2 L	1.500	38.100	0.500	12.700
01124-01	HDC 1-5/8 L	1.625	41.275	0.500	12.700



"Under both wet and dry conditions, conventional PDC bits produced about 40% less dust than other test bits."

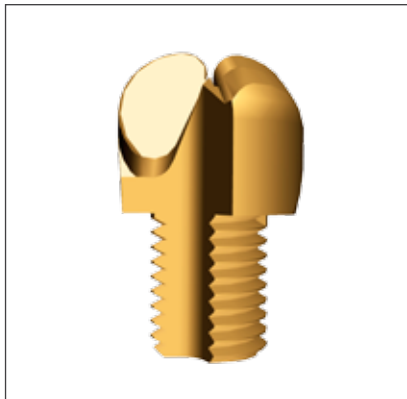
—U.S. Bureau of Mines



BRADY HD-SERIES THREADED SHANK PCD BIT

- Solid / Laminated roof conditions
- Aggressive cutting style
- Quick cutting flushing

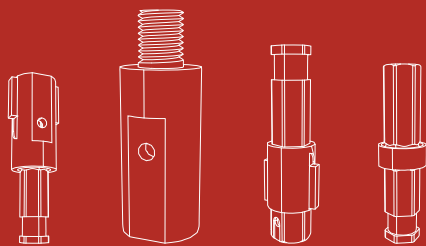
Part Number	Description	Dimensions		
		Bit Diameter		Thread Shank
		in	mm	Thread Size/Type
01204-01	THDC 1-1/16 - 16mm HD	1.063	26.988	16mm
01206-01	THDC 1-1/8 - 16mm HD	1.125	28.575	16mm
01210-01	THDC 1-3/8 - 16mm HD	1.375	34.925	16mm
01212-01	THDC 1-3/8 - 3/4NC HD	1.375	34.925	16mm
01216-01	THDC 1-1/16 - 16mm HD	1.625	41.275	16mm
01222-01	THDC 1-5/8 - EW HD	1.625	41.275	EW
01226-01	THDC 1-3/4 - EW HD	1.750	44.450	EW



BRADY A-SERIES THREADED SHANK PCD BIT

- Solid / Laminated roof conditions
- Aggressive cutting style
- Quick cutting flushing

Part Number	Description	Dimensions		
		Bit Diameter		Thread Shank
		in	mm	Thread Size/Type
01202-01	THDC 1-1/32 S - 16mm	1.031	26.194	16mm
01208-01	THDC 1-3/8 L - 16mm	1.375	34.925	16mm
01214-01	THDC 1-1/2 - L EW	1.500	38.100	EW
01220-01	THDC 1-5/8 L EW	1.625	41.275	EW
01224-01	THDC 1-3/4 L EW	1.750	44.450	EW
01230-01	THDC 1-3/4 L 1/2SL	1.750	44.450	1-1/2SL
01232-01	THDC 2 L EW	2.00	50.800	EW
01234-01	THDC 2-1/8 L EW	2.125	53.975	EW
01236-01	THDC 2-1/4 L EW	2.250	57.150	EW



23

24

25

26

27

28

29

30

31

32

33

34

▶ CATEGORY N°.1 {VIPER BITS}

▶ CATEGORY N°.2 {DRY BITS}

▶ CATEGORY N°.3 {WET BITS}

CATEGORY N°.4

▶ REAMERS+BITSEATS

The advanced technology in Brady Mining reamers and bit seats substantially decreases bolting time—allowing operators to maintain continuous production output.

- Decrease bolting time
- Maintain the gauge of the hole
- Adapts to most round or hex tubular drill steel extension rods
- Eliminate hole rifling and irregularities
- Increase durability and wear resistance
- Fewer hung up drill steel to fight
- Easier and faster to install resin cartridges, standard bolts and cable bolts

▶ CATEGORY N°.5 {COUPLERS + SPECIALTY TOOLS}

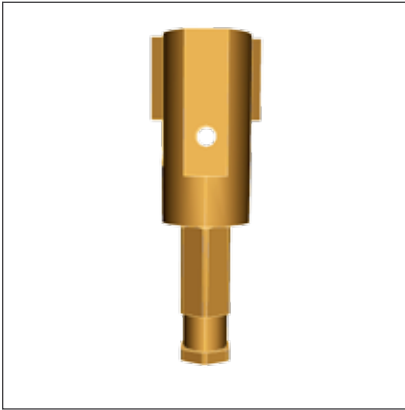
▶ CATEGORY N°.6 {DRILL STEEL}

[▶ LEARN MORE](#)

"In mines where the roof rock contained 1 to 2 FT of shale, overlaid by hard sandstone, PDC bit life averaged more than 1,000 FT."

—U.S. Bureau of Mines



BRADY HD-SERIES REAMERS


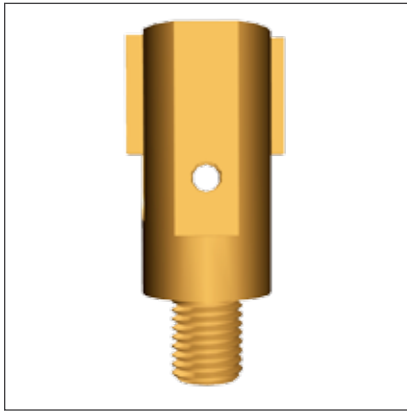
- Wet drilling
- Maintain the gage of the hole
- Decrease bolt setting time
- Easy drive on hex shank

Part Number	Description	Dimensions					
		Reamer Diameter		Square Bit Seat		Hex Shank	
		in	mm	in	mm	in	mm
04226-01	B500-1010-625 R	1.010	26.654	0.500	12.700	0.625	15.875
04228-01	B500-1010-625 R 2H	1.010	26.654	0.500	12.700	0.625	15.875
04216-01	B500-1110-625 R	1.010	28.194	0.500	12.700	0.625	15.875
04220-01	B500-1350-625 R	1.350	34.290	0.500	12.700	0.625	15.875
04230-01	B500-1350-790 R	1.350	34.290	0.500	12.700	0.790	20.066
04232-01	B500-1350-790 R 2H	1.350	34.290	0.500	12.700	0.790	20.066
04244-01	B625-1350-790 R	1.350	34.290	0.625	15.875	0.790	20.066


BRADY A-SERIES BIT SEATS

- Wet drilling
- Durable high alloy steel
- Heavy duty construction
- Easy drive on hex shank

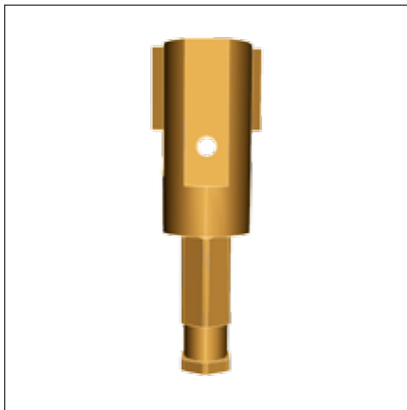
Part Number	Description	Dimensions					
		Square Bit Seat		Body Diameter		Hex Shank	
		in	mm	in	mm	in	mm
04012-01	B500-940-625	0.500	12.700	0.940	23.876	0.625	15.875
04014-01	B500-940-625 2H	0.500	12.700	0.940	23.876	0.625	15.875
04016-01	B500-1135-790	0.500	12.700	1.135	28.829	0.790	20.066
04018-01	B500-1135-790 2H	0.500	12.700	1.135	28.829	0.790	20.066



BRADY HD-SERIES THREADED SHANK REAMERS

- Wet Drilling
- Maintain the gage of the hole
- Increased bolt setting time
- Threaded shank

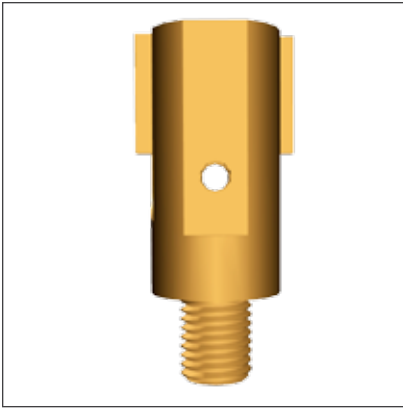
Part Number	Description	Dimensions				
		Reamer Diameter		Square Bit Seat		Threaded Shank
		in	mm	in	mm	Thread Size/Type
04222-01	B500-1010-16MM R	1.010	25.654	0.500	12.700	16mm
04214-01	B500-1110-16MM R	1.110	27.940	0.500	12.700	16mm
04218-01	B500-1350-16MM R	1.350	31.750	0.500	12.700	16mm
04242-01	B625-1350-16MM R	1.350	31.750	0.625	15.875	16mm
04224-01	B500-1350-3/4 NC R	1.350	34.290	0.500	12.700	3/4 NC



BRADY HD-SERIES THREADED BIT SEAT REAMERS

- Wet Drilling
- Maintain the gage of the hole
- Increased bolt setting time
- Hex Shank
- Threaded bit seat

Part Number	Description	Dimensions				
		Reamer Diameter		Threaded Bit Seat	Square Shank	
		in	mm	Thread Type/Size	in	mm
04204-01	B16MM-1110-625 R	1.110	28.194	16mm	0.625	15.875
04208-01	B16MM-1350-790 R	1.350	34.290	16mm	0.790	20.066
04212-01	B16MM-1350-790 R	1.350	34.290	16mm	0.790	20.066



BRADY HD-SERIES REAMER

- Durable high alloy steel
- Heavy duty construction
- Thread to thread coupler

Part Number	Description	Dimensions			
		Coupler Diameter		Threaded Shank	Threaded Shank
		in	mm	Thread Size/Type	Thread Size/Type
04202-01	B16MM-1110-16MM R	1.110	27.940	16mm	16mm
04206-01	B16MM-1250-16MM R	1.250	28.575	16mm	16mm



BRADY A-SERIES THREADED BIT SEATS

- Durable high alloy steel
- Heavy duty construction
- Easy drive on hex shank

Part Number	Description	Dimensions				
		Threaded Bit Seat	Body Diameter		Hex Shank	
		Thread Size/Type	in	mm	in	mm
04004-01	B16MM-940-625	16mm	0.940	23.876	0.625	15.875
04004-02	B16MM-1350-790	16mm	0.940	23.876	0.625	15.875



BRADY A-SERIES THREADED BIT SEATS

- Durable high alloy steel
- Heavy duty construction
- Threaded shank

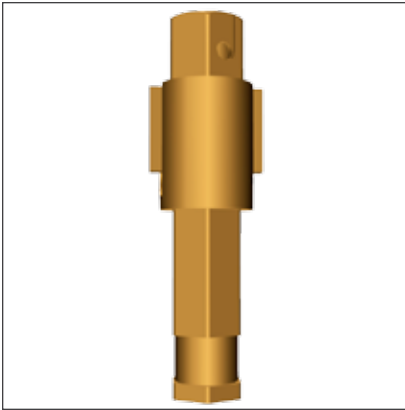
Part Number	Description	Dimensions			
		Threaded Bit Seat	Body Diameter		Threaded Shank
		Thread Type/Size	in	mm	Thread Size/Type
04001-01	B16mm-940-16MM 4"	16mm	0.940	23.876	16mm
04002-01	B16MM-940-16MM	16mm	0.940	23.876	16mm
04003-01	B16MM-940-16MM 12"	16mm	0.940	23.876	16mm



BRADY A-SERIES BIT SEATS

- Durable high alloy steel
- Heavy duty construction
- Threaded shank

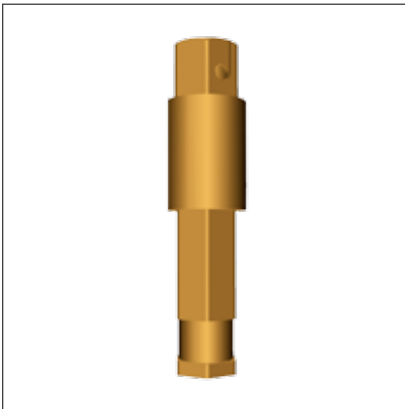
Part Number	Description	Dimensions				
		Square Bit Seat		Body Diameter		Threaded Shank
		in	mm	in	mm	Thread Size/Type
04006-01	B500-1135-16MM	0.500	12.700	1.135	28.829	16mm
04008-01	B500-940-16MM	0.500	12.700	0.940	23.876	16mm
04022-01	B625-1250-16MM	0.625	15.875	1.250	31.750	16mm



BRADY HD-SERIES DUST HOG REAMER

- Durable high alloy steel
- Heavy duty construction
- Easy hex shank

Part Number	Description	Dimensions					
		Reamer Diameter		Hex Bit Seat		Hex Shank	
		in	mm	in	mm	in	mm
04234-01	B625-1010-625 DH R	1.010	25.654	0.625	15.875	0.625	15.875
04236-01	B870-1350-790 DH R	1.350	34.290	0.870	22.098	0.790	20.066



BRADY A-SERIES THREADED DUST HOG BIT SEATS

- Durable high alloy steel
- Heavy duty construction
- Easy drive on hex shank

Part Number	Description	Dimensions					
		Body Diameter		Hex Bit Seat		Hex Shank	
		in	mm	in	mm	in	mm
0402-01	B625-1010-625 DH	1.010	25.654	0.625	15.875	0.625	15.875
0402-02	B870-1350-790 DH	1.350	34.290	0.870	22.098	0.790	20.066

- ▶ CATEGORY N°.1 {VIPER BITS}
- ▶ CATEGORY N°.2 {DRY BITS}
- ▶ CATEGORY N°.3 {WET BITS}
- ▶ CATEGORY N°.4 {REAMERS + BIT SEATS}

CATEGORY N°.5

▶ COUPLERS+SPECIALTY TOOLS

Brady Mining is dedicated to supporting our customers with easy-to-use couplers and custom-designed tooling.

- Delivered quality to support consistent production
- Standard couplings that adapt to most round or hex tubular drill steel
- Unique threaded couplings for secure connections
- Highest quality materials
- Custom-designed applications
- Dedicated engineering support

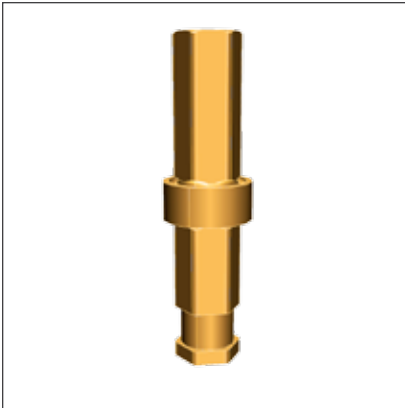
- ▶ CATEGORY N°.6 {DRILL STEEL}

▶ [LEARN MORE](#)

"By reducing the number of operations a worker must perform, PDC bits may significantly reduce the number of non-fatal accidents resulting in lost-time injuries, associated with roof-drilling operations."

—U.S. Bureau of Mines

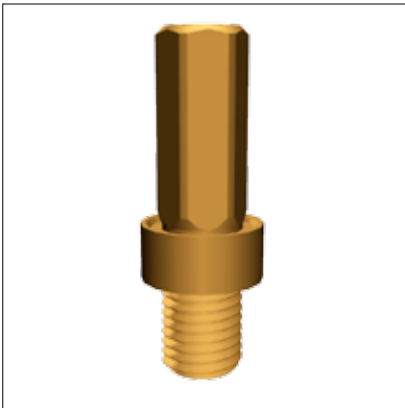




BRADY A-SERIES COUPLER

- Durable high alloy steel
- Heavy duty construction
- Hex to hex coupler

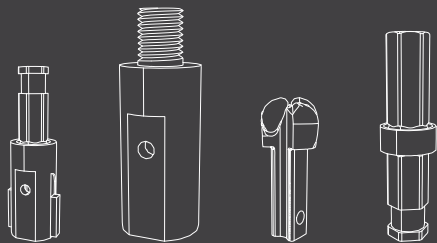
Part Number	Description	Dimensions					
		Coupler Diameter		Hex Shank		Hex Shank	
		in	mm	in	mm	in	mm
04108-01	B625-940-625 C	0.940	23.876	0.625	15.875	0.625	15.875
04114-01	B790-1110-790 C	1.110	28.194	0.790	22.066	0.790	20.066



BRADY A-SERIES COUPLER

- Durable high alloy steel
- Heavy duty construction
- Hex to thread coupler

Part Number	Description	Dimensions				
		Coupler Diameter		Hex Shank		Threaded Shank
		in	mm	in	mm	Thread Type/Size
04102-01	B625-940-16MM C LS	0.940	23.876	0.625	15.875	16mm
04110-01	B790-940-16MM C	0.940	23.876	0.790	22.066	16mm
04112-01	B790-1125-750 NC	1.125	28.575	0.790	22.066	3/4 NC



23

24

25

26

27

28

29

30

31

32

33

34

- ▶ CATEGORY N°.1 {VIPER BITS}
- ▶ CATEGORY N°.2 {DRY BITS}
- ▶ CATEGORY N°.3 {WET BITS}
- ▶ CATEGORY N°.4 {REAMERS + BIT SEATS}
- ▶ CATEGORY N°.5 {COUPLERS+SPECIALTY TOOLS}

CATEGORY N°.6

▶ DRILL STEEL

Brady Mining high grade industrial steel is designed for exceptional strength using high-grade alloy.

- Increase durability and lower mining cost
- Remains straight under high thrust conditions
- Lasts approximately 20-times longer than traditional drill steel
- Delivers excellent fatigue strength to attain longer life
- Incorporated into a universal, easy-to-use shank
- Adapts to most round or hex tubular drill steel extension rods

▶ [LEARN MORE](#)



"A 200 to 600 times increase in bit life should reduce injuries occurring during bit replacement and other activities related to roof-bolting operations."

—U.S. Bureau of Mines



1 $\frac{1}{8}$ " TWIST LOCK

BPO 78TL1-36"

BPO 78TL1-48"

BPO 78TL1-54"

BPO 78TL1-60"

BPO 78TL1-66"

BPO 78TL1-72"

1 $\frac{1}{8}$ " SQUARE SHANK

BPO 78SQ-36"

BPO 78SQ-48"

BPO 78SQ-54"

BPO 78SQ-60"

BPO 78SQ-66"

BPO 78SQ-72"

1 $\frac{1}{8}$ " HEX SHANK

BPO 78H-36"

BPO 78H-48"

BPO 78H-54"

BPO 78H-60"

BPO 78H-66"

BPO 78H-72"

BPO 78H-84"

BPO 78H-96"

BPO 78H-108"

BPO 78H-120"

